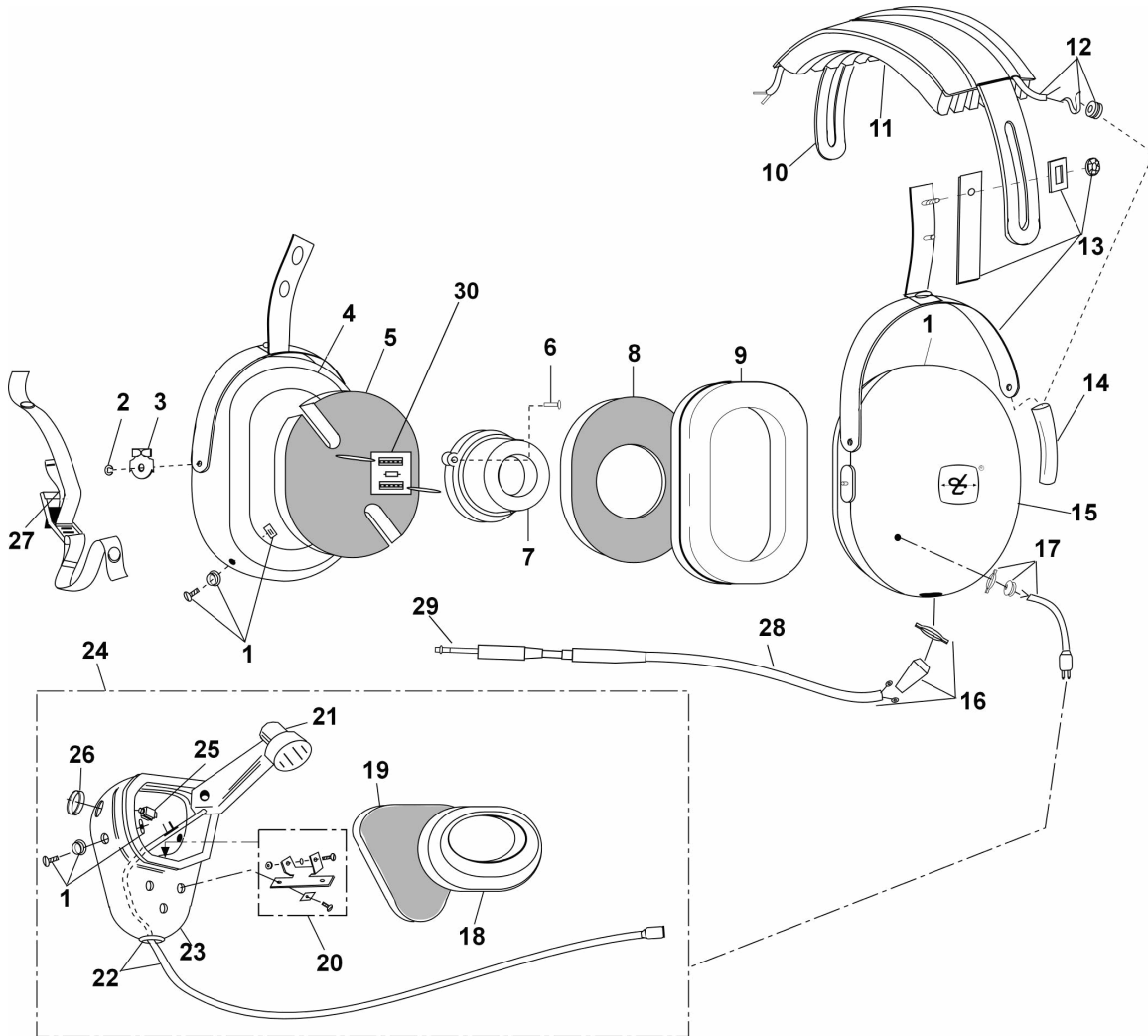


# David Clark COMPANY INCORPORATED

360 Franklin Street, Box 15054, Worcester, MA 01615-0054  
TEL.: (508) 751-5800 E-Mail: sales@DavidClark.com FAX: (508) 753-5827

## PARTS LIST MODEL H3310



No.	Description	Part No.
1	Snap Stud Kit	18314G-01
2	Retaining Ring (10/pk)	00009M-03
3	Dome Stop	15097P-01
4	Right Dome	11353P-45
5	Dome Filter	26475P-02
6	Screw (10/pk)	13180P-03
7	Earphone Assembly	10376G-17
8	Dome Filter	25629P-03
9	Earseal (pair)	18316G-02
10	Headband Spring	25630P-01
11	Headpad Assembly	10133G-41
12	Overhead Cord Assy Kit	22607G-01
13	Stirrup Assembly	22378G-01
14	Heat Shrink Tube (10/pk)	18326G-01
15	Dome, Left (Microphone Side)	11353P-43

No.	Description	Part No.
16	Comm Cord Kit	18028G-08
17	Mic Plug Cord Kit	18804G-02
18	Cushion, Mic Shield Assy	18417G-02
19	Mic Shield Filter	24653P-02
20	Microphone Bracket Assy Kit	18317G-01
21	Microphone M-1/DC	12948G-08
22	Microphone Cord Assembly	18315G-06
23	Microphone Shield	11389P-09
24	Shield Assy with Microphone	18226G-03
25	Push-To-Talk Switch	26619P-18
26	Push Button Guard	26553P-01
27	Adjustable Strap Assy	10479G-02
28	Bend Relief Sleeve	17836P-03
29	Connector Kit	18900G-42
30	PCB Assembly	18289G-13

ELECTRICAL SCHEMATIC  
MODEL H3310

